

SHENANDOAH

THE NEXT GENERATION

LEADERSHIP CAMPAIGN



Martha's Vineyard Ocean Academy — A 501(c)(3) nonprofit institution

Welcome Aboard

Martha's Vineyard Ocean Academy (formerly FUEL) offers immersive and transformative experiences at sea for youth aboard the tall ship Shenandoah. These voyages of self-discovery foster resilience and social-emotional skills that empower participants to navigate their lives meaningfully.

There is an urgent need to cultivate purpose, happiness, and resilience in young people today. Research indicates that youth face a growing crisis of anxiety and alienation, significantly impacting their emotional well-being, physical health, and academic performance. In response, the Ocean Academy has designed a curriculum based on the Positive Youth Development (PYD) framework, which fosters social-emotional skills that strengthen happiness, a sense of purpose in life, and resilience.

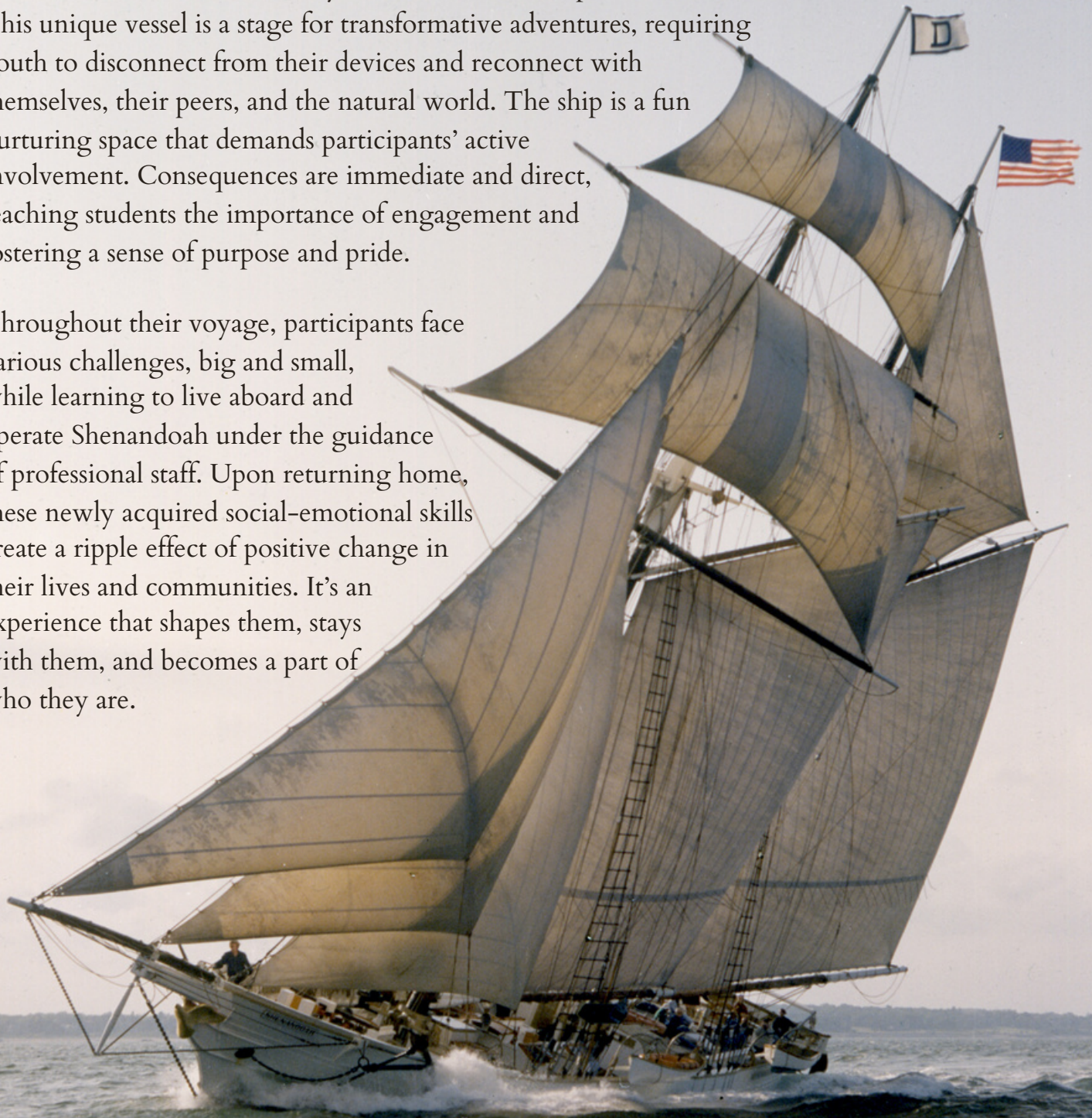
The PYD framework encompasses confidence, character, compassion, connection, competence, and a desire to contribute. To evaluate participants' growth in these six areas, we conduct a retrospective survey that students complete at the end of their 5.5-day voyage. The data from our study, collected from 430 students over the first two years, demonstrate significant improvement across all six categories. Students are growing socially and emotionally aboard Shenandoah while learning to be stewards of their communities and planet and developing mariner skills that are helpful for everyday life.



The Vessel

At the heart of Ocean Academy is the historic tall ship Shenandoah. This unique vessel is a stage for transformative adventures, requiring youth to disconnect from their devices and reconnect with themselves, their peers, and the natural world. The ship is a fun nurturing space that demands participants' active involvement. Consequences are immediate and direct, teaching students the importance of engagement and fostering a sense of purpose and pride.

Throughout their voyage, participants face various challenges, big and small, while learning to live aboard and operate Shenandoah under the guidance of professional staff. Upon returning home, these newly acquired social-emotional skills create a ripple effect of positive change in their lives and communities. It's an experience that shapes them, stays with them, and becomes a part of who they are.



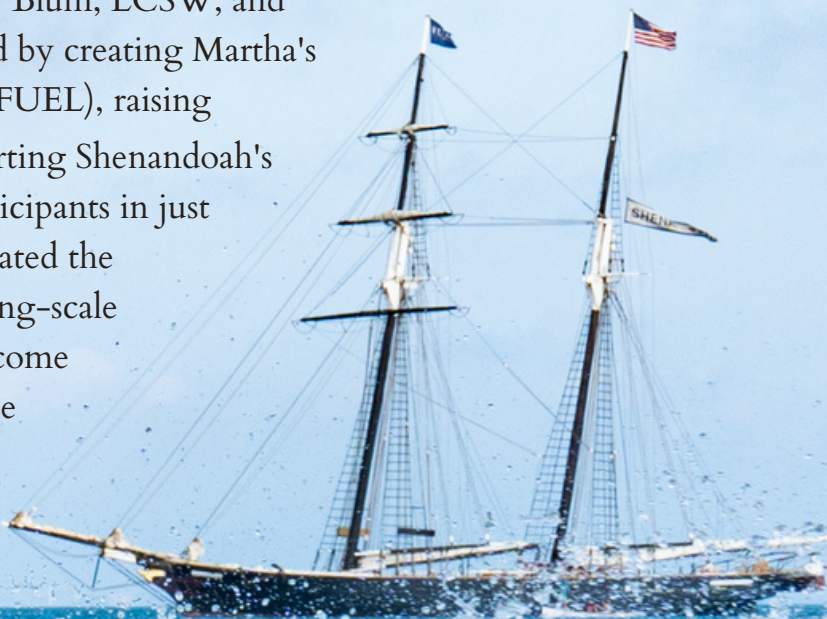


MISSION: Martha's Vineyard Ocean Academy helps youth develop lifelong purpose, happiness, and resilience through guided voyages of self-discovery.

The Conditions

In 2019, The United States Coast Guard (USCG) mandated that Shenandoah's stern be rebuilt. Next, COVID struck, and Shenandoah faced a year-long suspension in programming. During that time, the ship's certificate to carry passengers expired. Her designer, owner, and captain, Bob Douglas was 89 years old and decided to hand down his life's work to the next generation.

Douglas' protégés, Captain Casey Blum, LCSW, and Captain Ian Ridgeway, responded by creating Martha's Vineyard Ocean Academy (then FUEL), raising \$1,000,000, and successfully restarting Shenandoah's mission welcoming over 600 participants in just two years. Additionally, they updated the curriculum and introduced a sliding-scale tuition model so families of all income levels can participate in the unique experience Shenandoah offers.





The Voyage

As Shenandoah enters its 60th season, surpassing its expected lifespan by an impressive 40 years, we have a unique opportunity to ensure its long-term service to our community.

During the recent reconstruction of Shenandoah's stern, we discovered significant deterioration in essential hull components. To mitigate these pressing issues, we sought a two-year deferment from the US Coast Guard (USCG) in 2021, which they graciously granted. In 2023, we were further granted an additional two years of operation with the understanding that we would initiate the construction of a new and enhanced hull.

Considering the advanced age of Shenandoah, it is impractical to repair her deteriorating hull. However, by proactively starting construction on a new hull, we can appeal to USCG to extend our operating period beyond 2025. If the extension is not granted, we may need to suspend programming in 2025 until the new hull is completed.



The Route

We are amidst a comprehensive campaign to fund the rebuilding of Shenandoah. We are allocating \$5.25 million for construction and \$1.75 million for an endowment and program expansion.

PHASE ONE | 2022–3 | \$3.25 million goal to rebuild the hull, deck, and mechanical systems at a qualified commercial shipyard. — 34% FUNDED

PHASE TWO | 2023–4 | \$2 million goal to complete Shenandoah's rebuild in her homeport of Vineyard Haven. Community education and engagement will highlight this public phase of fundraising and construction.

ENDOWMENT & START-UP CAPITAL | Ongoing | \$1.75 million goal to support program expansion, accreditation, and an endowment.

The Destination

The reconstruction of Shenandoah is of utmost importance to Martha's Vineyard Ocean Academy's continued services. Rebuilding Shenandoah's hull presents an opportunity for improvements that will enable us to expand our reach to tropical and subtropical regions, including the Caribbean, and provide year-round services. This expansion creates new opportunities for participants and ensures our program's long-term sustainability and growth.

By supporting the rebuild and improvement of Shenandoah, you are empowering thousands of young people from Martha's Vineyard and beyond, including those with physical and mental limitations. Your support promotes the development of their social-emotional intelligence and fosters a sense of stewardship towards the environment.



“Everybody on the boat helped me grow so much. I learned to rein in my anxiety, face my fears, and try new things. I learned that I like to wash dishes and that I like hard work, like doing the windlass and hoisting the yawl boat and sails!”

— Eleni S. (age 12)

Our Ask

Your lead gift will be a cornerstone of this time-sensitive, multi-year fundraising initiative. The campaign will include local, state, and national involvement from donors at all levels of support. As a leader of this campaign, you help improve the lives of youth on Martha's Vineyard and beyond and preserve our sense of place and quality of life. We are eager to share shipboard naming opportunities with you.

We respectfully request your leadership contribution, single-year or multi-year pledge at the following levels, to complete Phase 1 of our Shenandoah The Next Generation Campaign.

One gift	\$1,000,000	Two gifts	\$250,000	Five gifts	\$50,000
Two gifts	\$500,000	Five gifts	\$100,000	Total	\$3,250,000

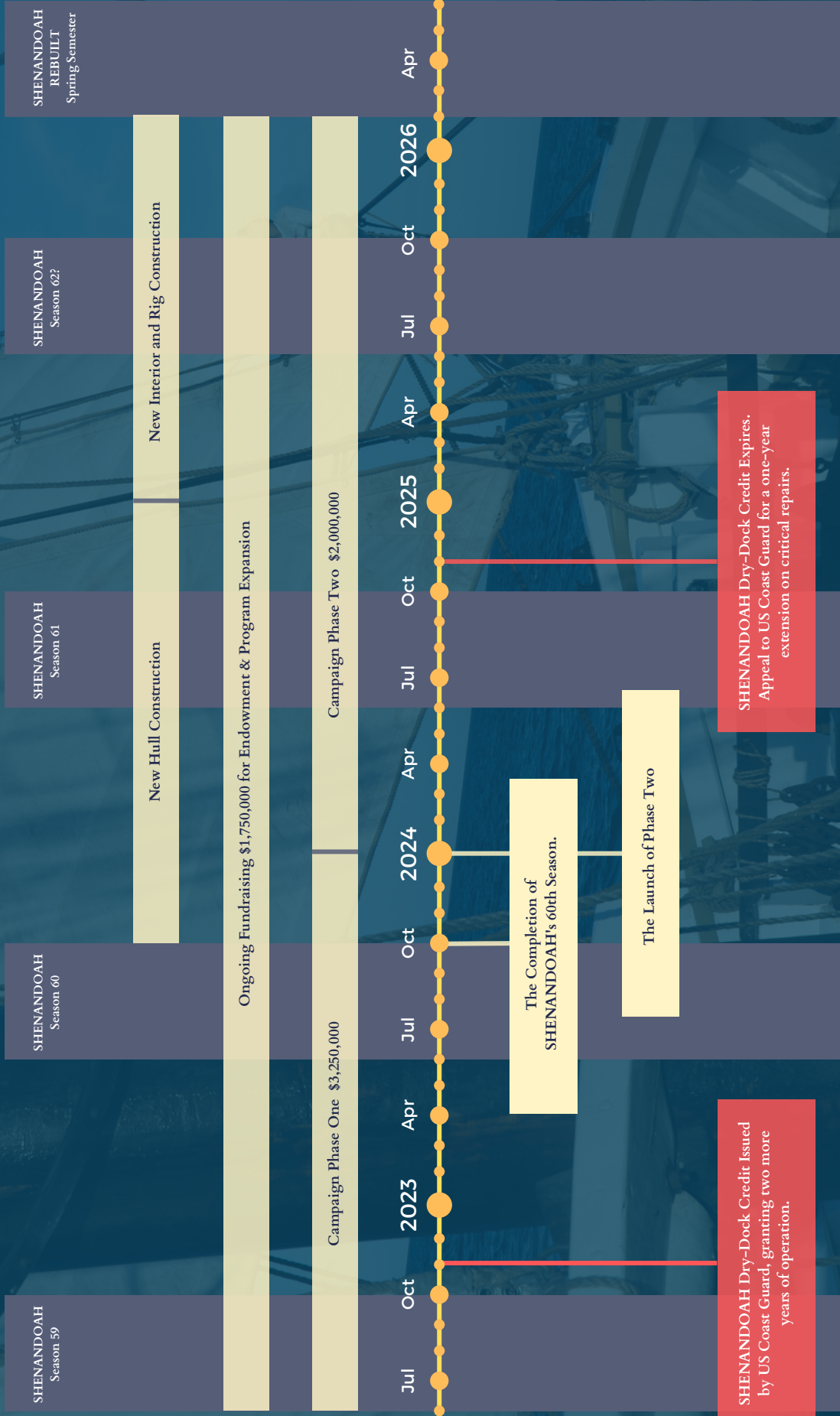




*“Thank you for all the work you do!
Olive had a wonderful experience
this past summer, and I’m grateful
for the opportunity to send her
again with your sliding scale
tuition. Thank you!”*

— Courtney M., Parent

Timeline

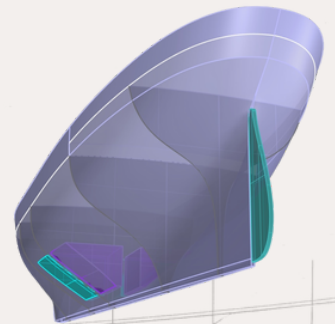




The Improvements

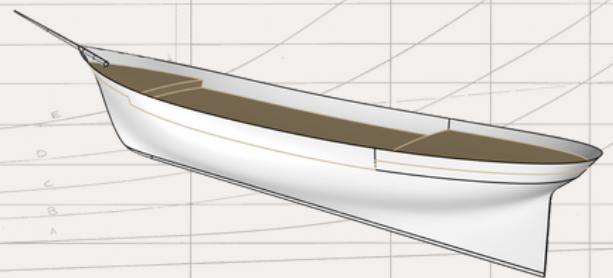
Shenandoah's rebuild will incorporate significant improvements conceived by Captain Bob Douglas, including...

- Built to American Bureau of Shipping certification standards
- U.S. Coast Guard inspected as a Sailing School Vessel
- Certified for open-ocean voyaging
- Fully powered by an engine and two generators
- Able to preserve centuries of seafaring traditions in the 22nd century



Length at the Rail: 116 ft.
Length Overall: 160 ft.
Waterline Length: 104 ft.
Beam: 26 ft.
Staff: 9

Rig Height: 101 ft.
Sail Area: 7,500 sq. ft.
Draft: 12 ft
Displacement: 255 tons
Students: 32



Shenandoah will soon be more accessible and better equipped to serve people with physical limitations.

Your Captains

Ian Ridgeway and Casey Blum, LCSW, created Martha's Vineyard Ocean Academy in 2016. As students who struggled in a classroom setting, they both found their compass through ocean adventures.

Under the guidance of their mentor, Captain Bob Douglas, Casey and Ian worked for over 35 years collectively as educators aboard the tall ships Shenandoah and Alabama. Casey has a dual master's degree in outdoor education and social work. She holds a 100-ton U.S. Coast Guard captain's license. Ian has a 500-ton U.S. Coast Guard captain's license and a bachelor's degree in environmental studies.

With the belief that their organization can be a model for developmental tall ship programs, Casey and Ian lean on the wisdom and help of distinguished partners and advisors. Their mentors are experts in adventure therapy, outdoor education, traditional ship design, deep-water sailing, and nonprofit advancement.

With your support, Casey and Ian are prepared to execute their vision for high-impact programming for thousands of youth over the decades to come.





“The experience Spencer had last summer was truly remarkable, he learned so much about himself and the power of a community.”
— Emo C., Parent



The Conclusion

Through our research in collaboration with the University of New Hampshire, we are proving what participants in Shenandoah voyages have known for decades; the experience helps youth develop skills for purposeful, happy, and healthy lives. The Shenandoah model is proven. It is time to invest in and empower the next generation.

Thank you for considering this once-in-a-lifetime opportunity to support your community and institutionalize a vital piece of our cultural identity and heritage. We are proud to preserve and grow these unique opportunities for our youth.





Let's Talk

Ian@mvoceanacademy.org

(508) 560-9237

www.mvoceanacademy.org

EIN 81-4752116